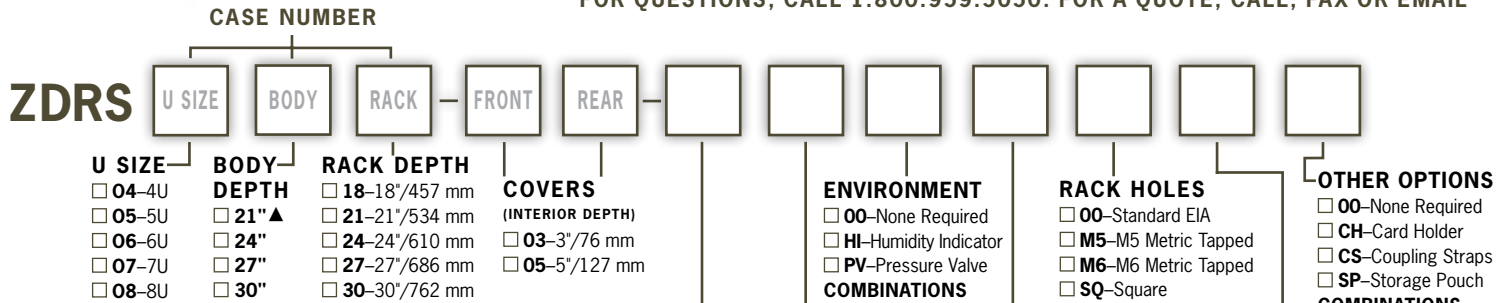


NEW! ZERO'S SCOUT SERIES A LIGHTER 19" RACKMOUNT CASE WITH SHOCK MOUNTS AND DOUBLE ENTRY

BUYERS GUIDE AND PART NUMBER BUILDER

SELECT CASE SIZES AND OPTIONS. CUSTOM PARTS & BUILDS ARE AVAILABLE FOR QUESTIONS, CALL 1.800.959.5050. FOR A QUOTE, CALL, FAX OR EMAIL



THE ZERO SCOUT RACKMOUNT CASE is a lighter rotomolded, double entry case designed and engineered to provide complete protection for the most sensitive E.I.A 19" rackmountable equipment and instrumentation.

SCOUT 19" Rackmount cases meet the rigors of virtually all conditions including extreme altitude, rain, sleet, snow, sand, dust and temperatures.

- Strong, yet lighter polyethylene construction
- Shock-Mounted 19" Rack
- Flexibility—customize to needs
- Portable, stackable, versatile
- Variety of standard and custom finishes and color

- COLORS**
- BK-Black 27040
 - DB-Dark Blue 25102
 - DS-Desert Sand 33446
 - FG-Forest Green 24052
 - GR-Gray 26270
 - MR-Maroon PMS 202
 - MB-Medium Blue 25190
 - NA-Natural
 - NG-NATO Green RAL6014
 - OD-Olive Drab 24097
 - OR-Orange 12197
 - RD-Red 21105
 - WH-White 27925
 - YW-Yellow 23785

FED-STD-595 for reference.

- SHOCK MOUNTS (EQUIPMENT WEIGHT)**
- 01-20 to 49 lbs▲ (9.1 to 22.2 kg)
 - 02-50 to 80 lbs (22.7 to 36.3 kg)
- Call for loads over 80 lbs.

Standard Equipment Load Ranges

SCOUT RACKFRAME LOAD RANGES

Shock Mounts Per System	Load Ranges (lbs/kg) For Equipment Installed in Rack
8 ea	20 to 49 lbs / 9.1 to 22.2 kg
8 ea	50 to 80 lbs / 22.7 to 36.3 kg

HARDWARE

- 00 - Standard: Zinc Chromate Handle and Hardware
 - LL - Zinc Chromate Handle and Hardware, Locking Hasp●
 - BH - Black Metal Handle and Hardware
 - BL - Black Metal Handle, Hardware, Locking Hasp●
 - PO - Plastic Black Handle, Zinc Hardware
 - PB - Plastic Black Handle, Black Hardware
 - PS - Plastic Black Handle, Stainless Steel Hardware
 - P1 - Plastic Black Handle, Zinc Hardware, Locking Hasp●
 - P2 - Plastic Black Handle, Stainless Steel Hardware, Locking Hasp●
 - P3 - Plastic Black Handle, Black Hardware, Locking Hasp●
 - SS - Stainless Steel Handle and Hardware
 - LS - Stainless Steel Handle and Hardware, Locking Hasp●
- Handle material types may not be combined.

Call ZERO's Design and Engineering for custom sizes, colors and specific requirements.
1.800.500.9376

- Lifting Rings:** Verify the application does not exceed the load carrying capacity of the lifting rings or case.
 - Stacking:** Verify weight and support.
 - Shock Mounts:** Equipment loads over 80 lbs (68 kg).
- NOTES:**
 Quick-Ship not available for Scout Rack Mount cases.
 ● Watertight Option not available with Locking Hasps.
 ▲ Select #01 Shock Mounts for 21" Case Body.

HOW TO ORDER CASES

Standard Cases:	<ol style="list-style-type: none"> Go to www.zerocases.com/contactSales.php to find your local distributor or reseller. Call 800-959-5050 or email orders@zerocases.com to place an order directly with ZERO.
Customized Cases:	<ol style="list-style-type: none"> Go to www.zerocases.com/contactSales.php to find your local representative and request a quote or email your RFQ to quotes@zerocases.com



ZERO ZERO
www.zerocases.com

TO LEARN MORE ABOUT ZERO'S SCOUT RACKMOUNT CASES VISIT WWW.ZEROCASES.COM

NEW! LIGHTER 19" SHOCK-MOUNT RACK

EIA UNITS in/mm A	BODY DEPTH in/mm B	RACK DEPTH in/mm C	COVER HEIGHT in/mm D + E	CASE HEIGHT in/mm F	VOLUME cubic ft/m	WEIGHT lb/kg	SWAY + / -	ZERO PART #
4U 7.12" (181 mm)	21/534	18/457	9/229	16.00/406	7.7/.22	45/22.4		ZDRS042118-0303
			11/279		7.9/.22	46/22.8		ZDRS042118-0305
			13/330		8.4/.24	48/23.7		ZDRS042118-0505
		9/229	7.7/.22		45/22.4		ZDRS042121-0303	
		11/279	7.9/.22		46/22.8		ZDRS042121-0305	
		13/330	8.4/.24		48/23.7		ZDRS042121-0505	
	24/610	21/534	9/229	16.00/406	8.4/.24	46/20.9		ZDRS042421-0303
			11/279		8.7/.25	47/21.3		ZDRS042421-0305
			13/330		9.2/.26	49/22.2		ZDRS042421-0505
		9/229	8.4/.24		46/20.9		ZDRS042424-0303	
		11/279	8.7/.25		47/21.3		ZDRS042424-0305	
		13/330	9.2/.26		49/22.2		ZDRS042424-0505	
27/686	24/610	9/229	16.00/406	9.1/.26	48/21.8		ZDRS042724-0303	
		11/279		9.5/.27	49/22.2		ZDRS042724-0305	
		13/330		10.0/.28	51/23.1		ZDRS042724-0505	
	9/229	9.1/.26		48/21.8		ZDRS042727-0303		
	11/279	9.5/.27		49/22.2		ZDRS042727-0305		
	13/330	10.0/.28		51/23.1		ZDRS042727-0505		
30/762	27/686	9/229	16.00/406	9.8/.28	51/23.1		ZDRS043027-0303	
		11/279		10.3/.29	52/23.6		ZDRS043027-0305	
		13/330		10.8/.31	54/24.5		ZDRS043027-0505	
	9/229	9.8/.28		51/23.1		ZDRS043030-0303		
	11/279	10.3/.29		52/23.6		ZDRS043030-0305		
	13/330	10.8/.31		54/24.5		ZDRS043030-0505		
5U 8.87" (225 mm)	21/534	18/457	9/229	17.75/451	7.7/.22	52/21.7		ZDRS052118-0303
			11/279		9.0/.25	53/22.2		ZDRS052118-0305
			13/330		9.3/.26	54/23.1		ZDRS052118-0505
		9/229	7.7/.22		54/23.1		ZDRS052121-0303	
		11/279	9.0/.25		55/23.6		ZDRS052121-0305	
		13/330	9.3/.26		56/24.5		ZDRS052121-0505	
	24/610	21/534	9/229	17.75/451	8.7/.25	56/25.4		ZDRS052421-0303
			11/279		9.8/.28	57/25.9		ZDRS052421-0305
			13/330		10.2/.29	58/26.3		ZDRS052421-0505
		9/229	8.7/.25		52/23.6		ZDRS052424-0303	
		11/279	9.8/.28		53/24.0		ZDRS052424-0305	
		13/330	10.2/.29		54/24.5		ZDRS052424-0505	
	27/686	24/610	9/229	17.75/451	9.8/.28	58/26.3		ZDRS052724-0303
			11/279		10.6/.30	59/26.8		ZDRS052724-0305
			13/330		11.1/.31	60/27.2		ZDRS052724-0505
		9/229	9.8/.28		58/26.3		ZDRS052727-0303	
		11/279	10.6/.30		59/26.8		ZDRS052727-0305	
		13/330	11.1/.31		60/27.2		ZDRS052727-0505	
30/762	27/686	9/229	17.75/451	10.9/.31	60/27.2		ZDRS053027-0303	
		11/279		11.4/.32	61/27.7		ZDRS053027-0305	
		13/330		12.0/.34	63/28.6		ZDRS053027-0505	
	9/229	10.9/.31		60/27.2		ZDRS053030-0303		
	11/279	11.4/.32		61/27.7		ZDRS053030-0305		
	13/330	12.0/.34		63/28.6		ZDRS053030-0505		
6U 10.63" (270 mm)	21/534	24/610	9/229	17.75/451	9.9/.28	52/23.6	+/-	ZDRS062421-0303
			11/279		10.3/.29	53/24.0	+/-	ZDRS062421-0305
			13/330		11.1/.31	54/24.5	+/-	ZDRS062421-0505
		9/229	9.9/.28		52/23.6	+/-	ZDRS062424-0303	
		11/279	10.3/.29		53/24.0	+/-	ZDRS062424-0305	
		13/330	11.1/.31		54/24.5	+/-	ZDRS062424-0505	
	27/686	24/610	9/229	17.75/451	10.8/.31	54/24.5	+/-	ZDRS062724-0303
			11/279		11.3/.32	55/24.9	+/-	ZDRS062724-0305
			13/330		12.0/.34	56/25.4	+/-	ZDRS062724-0505
		9/229	10.8/.31		54/24.5	+/-	ZDRS062727-0303	
		11/279	11.3/.32		55/24.9	+/-	ZDRS062727-0305	
		13/330	12.0/.34		56/25.4	+/-	ZDRS062727-0505	
	30/762	27/686	9/229	17.75/451	11.7/.33	56/25.4	+/-	ZDRS063027-0303
			11/279		12.3/.35	57/25.9	+/-	ZDRS063027-0305
			13/330		12.9/.37	59/26.8	+/-	ZDRS063027-0505
		9/229	11.7/.33		56/25.4	+/-	ZDRS063030-0303	
		11/279	12.3/.35		57/25.9	+/-	ZDRS063030-0305	
		13/330	12.9/.37		59/26.8	+/-	ZDRS063030-0505	

SCOUT 4U-6U

TO ORDER RACKMOUNTS, PLEASE USE THE SCOUT PART NUMBER BUILDER, SELECT CASE SIZE AND OPTIONS

CALL 1.800.500.ZERO (9376)
FAX 1.801.415.1777
VISIT WWW.ZEROCASES.COM

APPLICATIONS

- Field portable for sensitive electronic instruments
- Military applications, monitoring equipment
- Seismic, pollution control instrumentation
- Test equipment
- Telecommunications test equipment
- Airport, flight guidance systems
- Field computer systems
- Field communications systems



UNPARALLELED PROTECTION

www.zerocases.com

2011 ZERO MANUFACTURING INC. ALL RIGHTS RESERVED. ZERO reserves the right to modify product specifications, features and information. Technical information is known to be correct at the time of publication.

REQUESTING A QUOTE AND/OR PLACING AN ORDER?

1. Go to www.zerocases.com/contactSales.php to find your nearest Sales Representative.
2. Call 1-800-959-5050 to speak with our Inside Sales & Quoting Department.
3. Email your RFQ to quotes@zerocases.com
4. Email your Purchase Order to orders@zerocases.com

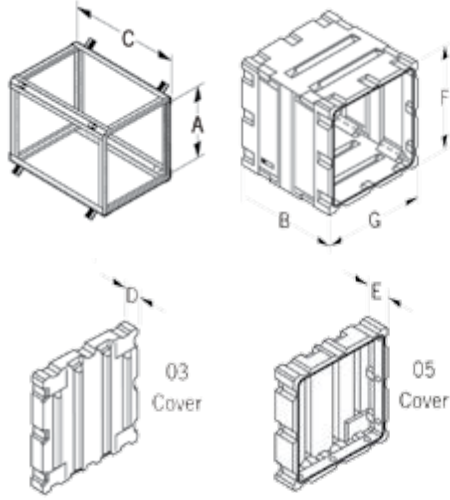
NEW! LIGHTER 19" SHOCK-MOUNT RACK

CREATE YOUR CASE AND CALL ZERO FOR A QUOTE - 1.800.500.ZERO (9376)

SCOUT 7U-8U

TO ORDER RACKMOUNTS, PLEASE USE THE SCOUT PART NUMBER BUILDER, SELECT CASE SIZE AND OPTIONS

CALL 1.800.500.ZERO (9376)
FAX 1.801.415.1777
VISIT WWW.ZEROCASES.COM



Drawing Specifications: Case Width G = 27.25 in (692 mm)
Cover Height (Exterior): 03 = 4.5 in (114.3 mm), 05 = 6.5 in (165.1 mm)
Cover Depth (Interior): 03 = 3.0 in (76.2 mm), 05 = 5.0 in (127 mm)

EIA UNITS in/mm A	BODY DEPTH in/mm B	RACK DEPTH in/mm C	COVER HEIGHT in/mm D + E	CASE HEIGHT in/mm F	VOLUME cubic ft/m	WEIGHT lb/kg	SWAY + / -	ZERO PART #
7U 12.37" (314 mm)	24/610	21/534	9/229	21.25/540	11.0/31	52/23.6		ZDRS072421-0303
			11/279		11.7/33	53/24.0		ZDRS072421-0305
			13/330		12.4/35	55/24.9		ZDRS072421-0505
		9/229	11.0/31		52/23.6		ZDRS072424-0303	
		11/279	11.7/33		53/24.0		ZDRS072424-0305	
		13/330	12.4/35		55/24.9		ZDRS072424-0505	
	27/686	24/610	9/229	21.25/540	12.0/34	55/24.9		ZDRS072724-0303
			11/279		12.7/36	56/25.4		ZDRS072724-0305
			13/330		13.4/38	58/26.3		ZDRS072724-0505
		9/229	12.0/34		55/24.9		ZDRS072727-0303	
		11/279	12.7/36		56/25.4		ZDRS072727-0305	
		13/330	13.4/38		58/26.3		ZDRS072727-0505	
30/762	27/686	9/229	21.25/540	13.0/37	57/25.9		ZDRS073027-0303	
		11/279		13.7/39	58/26.3		ZDRS073027-0305	
		13/330		14.4/41	60/27.2		ZDRS073027-0505	
	9/229	13.0/37		57/25.9		ZDRS073030-0303		
	11/279	13.7/39		58/26.3		ZDRS073030-0305		
	13/330	14.4/41		60/27.2		ZDRS073030-0505		
8U 14.12" (358 mm)	24/610	21/534	9/229	21.25/540	11.9/34	58/26.3	+/-	ZDRS082421-0303
			11/279		12.6/36	59/26.8	+/-	ZDRS082421-0305
			13/330		13.4/38	61/27.7	+/-	ZDRS082421-0505
		9/229	11.9/34		58/26.3	+/-	ZDRS082424-0303	
		11/279	12.6/36		59/26.8	+/-	ZDRS082424-0305	
		13/330	13.4/38		61/27.7	+/-	ZDRS082424-0505	
	27/686	24/610	9/229	21.25/540	13.0/37	60/27.2	+/-	ZDRS082724-0303
			11/279		13.7/39	61/27.7	+/-	ZDRS082724-0305
			13/330		14.5/41	63/28.6	+/-	ZDRS082724-0505
		9/229	13.0/37		60/27.2	+/-	ZDRS082727-0303	
		11/279	13.7/39		61/27.7	+/-	ZDRS082727-0305	
		13/330	14.5/41		63/28.6	+/-	ZDRS082727-0505	
	30/762	27/686	9/229	21.25/540	14.1/40	62/28.1	+/-	ZDRS083027-0303
			11/279		14.8/42	63/28.6	+/-	ZDRS083027-0305
			13/330		15.6/44	65/29.5	+/-	ZDRS083027-0505
		9/229	14.1/40		62/28.1	+/-	ZDRS083030-0303	
		11/279	14.8/42		63/28.6	+/-	ZDRS083030-0305	
		13/330	15.6/44		65/29.5	+/-	ZDRS083030-0505	

SCOUT ZDRS Includes a Shock Mount 19" Rack. +/- = Sway space to be increased or decreased dependent on selection. Standard load range: 20-80 lbs (9.1-36.3 kg). All weights are approximate.

ZERO reserves the right to modify product specifications, features and information. Technical information is known to be correct at the time of publication.

CASE FEATURES

- Rack or Frames provide a precise platform for all 19" rackmountable equipment and systems. The unique rack frame is a lightweight, high-strength design with proven performance durability. All aluminum cross members are anchored into each corner with high-strength stainless steel hardware. (International hole pattern also available).
- Outer Case Shells are a lighter, rotationally molded virgin polyethylene. The case shells are formulated with high tensile strength to assure the absolute highest degree of protection.
- Exceptionally durable, it is resistant to virtually all industrial chemicals, solvents and acids.
- Ruggedized aluminum vertical stiffeners are anchored to the inner case gussets to offer heavy duty support when cases are in the stacked configuration.
- Vertical mounting rails are formed of high strength steel. #10-32 tapped holes for installations of instruments and accessories.
- Lid Hangers are standard on SCOUT cases and provide a convenient location for lid storage.
- 90 Degree Corner-Locks on all lids provide the ultimate standard of security when lids are closed and latched. By placing the locks in the corners, it offers maximum protection of your equipment during rough handling or drops on any corner, in any direction.
- Elastomeric Shock Mounts with sufficient sway space provide the ultimate in shock protection. Rack cooling and air circulating is facilitated by the overall case and low profile rack design. Shock mounts are selected based on equipment weight.



REQUESTING A QUOTE AND/OR PLACING AN ORDER?

1. Go to www.zerocases.com/contactSales.php to find your nearest Sales Representative.
2. Call 1-800-959-5050 to speak with our Inside Sales & Quoting Department.
3. Email your RFQ to quotes@zerocases.com
4. Email your Purchase Order to orders@zerocases.com

Custom sizes and colors available on special order. Call 1.800.959.5050 for more information.

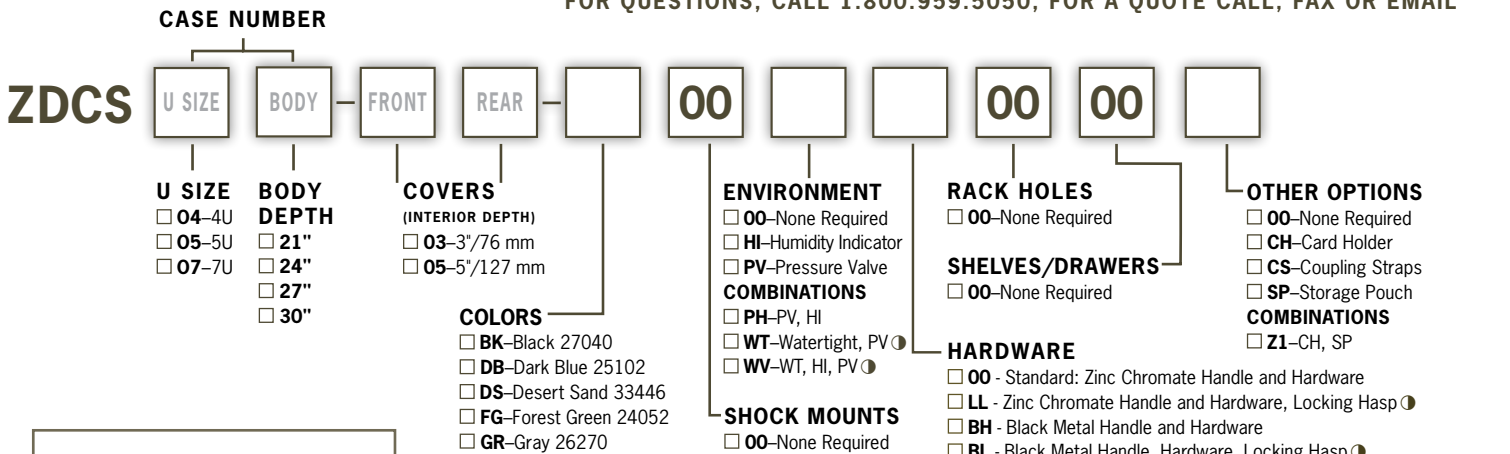
ZERO KNOWS

SCOUT SERIES CASES

DOUBLE-ENTRY STORAGE SOLUTION



BUYERS GUIDE AND PART NUMBER BUILDER
 SELECT CASE SIZES AND OPTIONS. CUSTOM PARTS & BUILDS ARE AVAILABLE
 FOR QUESTIONS, CALL 1.800.959.5050, FOR A QUOTE CALL, FAX OR EMAIL



SCOUT ZDCS is a lighter rotomolded, double entry case, designed and engineered for your storage needs. The SCOUT Case meets the rigors of virtually all conditions including extreme altitude, rain, sleet, snow, sand, temperatures, and dust.

KEY FEATURES

- Strong, yet lighter polyethylene construction
- Flexibility—customize to needs
- Portable, stackable, versatile
- Variety of standard and custom finishes and colors
- Stack with all SCOUT cases

SCOUT STANDARD FEATURES



90° Corner Locks

Lid Hangers

Call ZERO's Engineering and Design for custom sizes, colors and specific requirements.
 1.800.500.9376

NOTES:
 QuickShip not available.
 J Stacking: Call to verify weight and support.
 Watertight Option not available with Locking Hasps.

HOW TO ORDER CASES

Standard Cases:

1. Go to www.zerocases.com/contactSales.php to find your local distributor or reseller.
2. Call 800-959-5050 or email orders@zerocases.com to place an order directly with ZERO.

Customized Cases:

1. Go to www.zerocases.com/contactSales.php to find your local representative and request a quote or email your RFQ to quotes@zerocases.com



www.zerocases.com

ZERO MANUFACTURING, Inc. | 500 West 200 North | North Salt Lake, Utah 84054 USA
 Phone: 800-500-ZERO (9376) | Fax: 801-299-7389 | Email: sales@zerocases.com | www.zerocases.com

NEW! LIGHTER STORAGE CASE

CREATE YOUR CASE AND CALL ZERO FOR A QUOTE - 1.800.500.ZERO (9376)

SCOUT 4U-7U

CONVENIENT STORAGE CASES MATCH THE SCOUT 19" RACKMOUNT CASE SERIES

TO ORDER CASES, PLEASE USE THE SCOUT ZDCS PART NUMBER BUILDER, SELECT CASE SIZE AND OPTIONS

CALL 1.800.500.ZERO (9376)
FAX 1.801.415.1777
VISIT WWW.ZEROCASES.COM

SCOUT STORAGE APPLICATIONS

- Field Portable for Sensitive Electronic Instruments
- Military Applications, Monitoring Equipment
- Seismic, Pollution Control Instrumentation
- Test Equipment
- Telecommunications Test Equipment
- Airport, Flight Guidance Systems
- Field Computer Systems
- Field Communications Systems

EIA UNITS in/mm A	BODY DEPTH in/mm B	COVER HEIGHT in/mm D + E	CASE HEIGHT in/mm F	VOLUME cubic ft/m	WEIGHT lb/kg	ZERO PART #
4U 7.12" (181 mm)	21/534	9/229	16.00/406	7.7	37.0/16.7	ZDCS0421-0303
		11/279		7.9	38.0/17.2	ZDCS0421-0305
		13/330		8.4	39.0/17.8	ZDCS0421-0505
	24/610	9/229	16.00/406	8.4	40.0/18.1	ZDCS0424-0303
		11/279		8.7	41.0/18.6	ZDCS0424-0305
		13/330		9.2	42.0/19.1	ZDCS0424-0505
	27/686	9/229	16.00/406	9.1	43.0/19.5	ZDCS0427-0303
		11/279		9.5	44.0/20.0	ZDCS0427-0305
		13/330		10.0	45.0/20.4	ZDCS0427-0505
	30/762	9/229	16.00/406	9.8	46.0/20.9	ZDCS0430-0303
		11/279		10.3	47.0/21.3	ZDCS0430-0305
		13/330		10.8	49.0/22.2	ZDCS0430-0505
5U 8.87" (225 mm)	21/534	9/229	17.75/451	7.6	47.0/21.4	ZDCS0521-0303
		11/279		9.0	48.0/21.7	ZDCS0521-0305
		13/330		9.3	49.0/22.3	ZDCS0521-0505
	24/610	9/229	17.75/451	8.7	50.0/22.7	ZDCS0524-0303
		11/279		9.8	51.0/23.1	ZDCS0524-0305
		13/330		10.2	52.0/23.6	ZDCS0524-0505
	27/686	9/229	17.75/451	9.8	53.0/24.0	ZDCS0527-0303
		11/279		10.6	54.0/24.5	ZDCS0527-0305
		13/330		11.1	55.0/24.9	ZDCS0527-0505
	30/762	9/229	17.75/451	10.9	56.0/25.4	ZDCS0530-0303
		11/279		11.4	57.0/25.9	ZDCS0530-0305
		13/330		12.0	58.0/26.3	ZDCS0530-0505
7U 12.37" (314 mm)	24/610	9/229	17.75/451	11.0	48.0/21.8	ZDCS 0724-0303
		11/279		11.7	50.0/22.7	ZDCS 0724-0305
		13/330		12.5	52.0/23.6	ZDCS 0724-0505
	27/686	9/229	17.75/451	12.0	51.0/23.1	ZDCS0727-0303
		11/279		12.7	52.0/23.6	ZDCS0727-0305
		13/330		13.4	53.0/24.0	ZDCS0727-0505
	30/762	9/229	17.75/451	13.0	52.0/23.6	ZDCS0730-0303
		11/279		13.7	53.0/24.0	ZDCS0730-0305
		13/330		14.4	55.0/24.9	ZDCS0730-0505

SCOUT ZDCS is without a 19" Rack.

All weights are approximate.

Drawing Specifications:

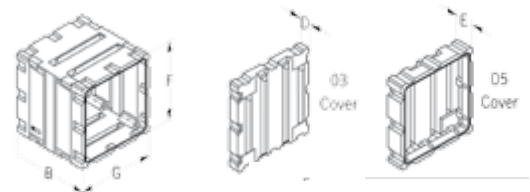
Case Width G = 27.25 in (692 mm)

Cover Height (Exterior): 03 = 4.5 in (114.3 mm)

05 = 6.5 in (165.1 mm)

Cover Depth (Interior): 03 = 3.0 in (76.2 mm)

05 = 5.0 in (127 mm)



SCOUT CASE FEATURES

- SCOUT Storage Case matches all SCOUT 19" Rackmount Cases. The unique case is a lighter design with proven performance durability.
- Outer Case Shells are a lighter, rotationally molded virgin polyethylene. The case shells are formulated with high tensile strength to assure the absolute highest degree of protection.
- Ruggedized aluminum vertical stiffeners are anchored to inner case gussets for heavy duty support for cases in the stacked configuration.
- Exceptionally durable, it is resistant to virtually all industrial chemicals, solvents and acids.
- Lid Hangers are standard on SCOUT cases and provide a convenient location for lid storage.
- 90 Degree Corner-Locks on all lids provide the ultimate standard of security when lids are closed and latched. By placing the locks in the corners, it offers maximum protection of your equipment during rough handling or drops on any corner, in any direction.

ZERO's Engineering and Design assistance is available to meet your requirements, custom sizes and colors.

CALL 1.800.500.ZERO (9376)
FAX 1.801.415.1777
EMAIL orders@zerocases.com
VISIT www.zerocases.com

©2011 ZERO MANUFACTURING INC. ALL RIGHTS RESERVED. ZERO reserves the right to modify product specifications, features and information. Technical information is known to be correct at the time of publication.

ZERO
UNPARALLELED PROTECTION
www.zerocases.com



REQUESTING A QUOTE AND/OR PLACING AN ORDER?

1. Go to www.zerocases.com/contactSales.php to find your Sales Representative.
2. Call 1-800-959-5050 to speak with our Inside Sales & Quoting Department.
3. Email your RFQ to quotes@zerocases.com
4. Email your Purchase Order to orders@zerocases.com



TO LEARN MORE ABOUT ZERO'S
RACKMOUNT, TRANSIT AND MODULAR CONTAINERS
VISIT WWW.ZEROCASES.COM

ZERO KNOWS

19" RACKMOUNT CASES



ZERO KNOWS THAT RELIABILITY IS KEY WHEN TRANSPORTING ELECTRONICS, but that you need more than that—you need protection that meets your specifications and reliability to withstand extreme conditions. Rackmount cases are quality tested and stand up to the harshest temperatures from extremely hot, to freezing cold, from full immersion in water to humidity extremes—we have the reliability, quality and protection you need.

Key Features & Benefits:

- Shock-mounted, hard-mounted and removable rack configurations
- Flexibility to build to custom needs
- Portable, stackable and rugged
- Optional EMI/RFI shielding available
- Select from plastic or aluminum exterior cases
- Strong aluminum and steel rack construction
- Variety of standard finishes and colors available



WARRIOR

The ZERO Warrior Rackmount case is a rotomolded, double-entry case designed and engineered to provide complete protection for the most sensitive E.I.A 19" rackmountable equipment and instrumentation. Your equipment is assured of security and protection both inside and out.

ZERAK

The ZERAK is our newest aluminum double entry case designed and engineered to provide watertight and 40G protection for electronic equipment with a smaller footprint and lighter weight, and deliver greater efficiency in transportation and usage. This case meets the rigors of environmental conditions including temperature ranges, altitude, rain, sleet, snow, sand, and dust. Available in 4U to 10U sizes, custom configurations, and colors. Integral stacking design for vertical and 90° stacking capabilities with proprietary stacking dimples provide versatility and stability.



VAL-AN 700

Val-An stands for "Value-Analyzed" for weight, performance and protection. The Val-An 700 shock-mounted aluminum rackmount cases offer reduced-sway space while maintaining ultimate protection of 19" electronic equipment. Engineered to satisfy requirements for rack-mounted enclosures, Val-An cases are designed to be stacked and accessible from the front or back. The 700's engineering and manufacturing is exclusive and made in ZERO's UK facility.

VAL-AN 900 SERIES

This versatile line of rugged aluminum cases feature an internal chassis, which is either hard-mounted or shock-mounted within the center section of the case. Installation of rack-mounted equipment is quick and easy, with accessibility from the front and rear. In transit or storage, instrument panels are latched to the case. Front and rear covers with specially designed T-Handle latches, allows accessibility to instruments and contents while in stacked mode.



ZERO CAN MEET YOUR NEEDS with one of our standard products, or through a specialized custom design, so no matter your use, application or device we have solution that will keep your sensitive electronics equipment stable and protected.

ZERO MANUFACTURING, INC | 500 West 200 North, North Salt Lake, Utah 84054 USA

Toll Free US 800-500-ZERO (9376) | Direct 801-298-5900 | Fax 801-299-7389 | Email sales@zerocases.com | Web

www.zerocases.com